



## Legend Interior Squeak and Rattles

### PROBABLE CAUSE AND CORRECTIVE ACTION

See appropriate page for each symptom.

**NOTE:** Most of these noises occur during normal driving. Some occur only at certain minimum driving speeds or over certain road surfaces. Ask the customer to describe the driving conditions surrounding each noise.

### PARTS INFORMATION

The following special materials are available through normal ordering channels.

EPT Sealer 5 mm thick:	P/N 06991-SA5-000
EPT Sealer 3 mm thick:	P/N 06990-SA5-000
EPT Slip Tape:	P/N 06994-SA5-000
Wool Felt 1 mm thick:	P/N 06993-SA5-000

### WARRANTY CLAIM INFORMATION

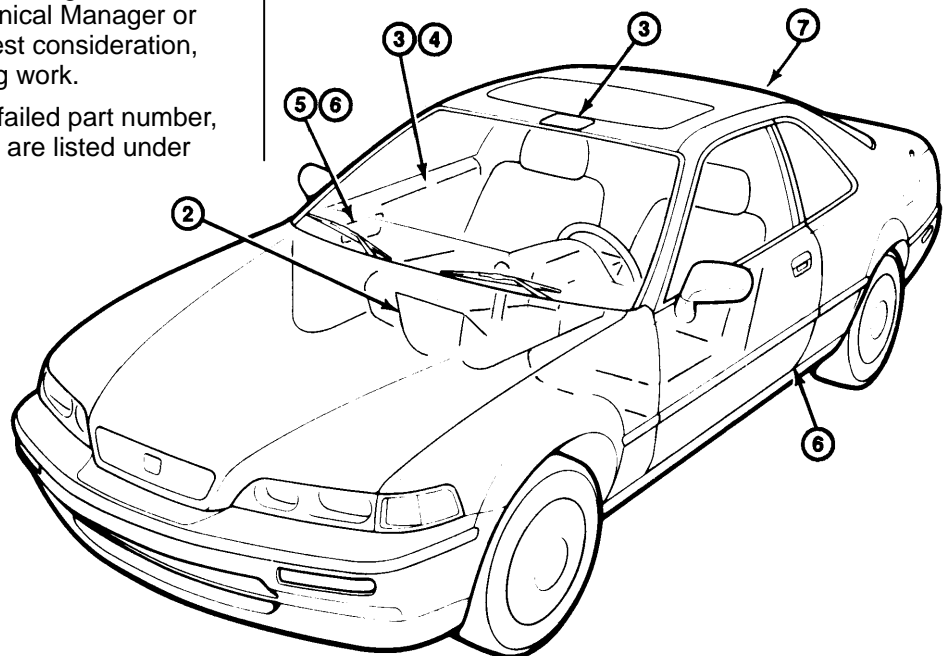
**In warranty:** The normal warranty applies.

**Out of warranty:** Any repair performed after warranty expiration may be eligible for goodwill consideration by the District Technical Manager or your Zone Office. You must request consideration, and get a decision, before starting work.

Operation number, flat rate time, failed part number, defect code, and contention code are listed under each related corrective action.

### INDEX

Location/type	Page
<b>CONSOLE</b>	
Creak From Center Console Cover . . . . .	2
<b>CEILING</b>	
Rubbing Noise at the Forward Ceiling Light . . .	3
<b>DOOR</b>	
Creak From Door Panel . . . . .	3
Rattle From the Door Panel . . . . .	4
Rattle From Interior Door Handle Trim Plate . . .	5
Creak From Interior Door Handle . . . . .	6
<b>B-PILLAR</b>	
Creak From the Base of the B-pillar . . . . .	6
<b>BRAKE LIGHT</b>	
High Mount Brake Rattle . . . . .	7



## CENTER CONSOLE

**Symptom:** Creak from the center console cover.

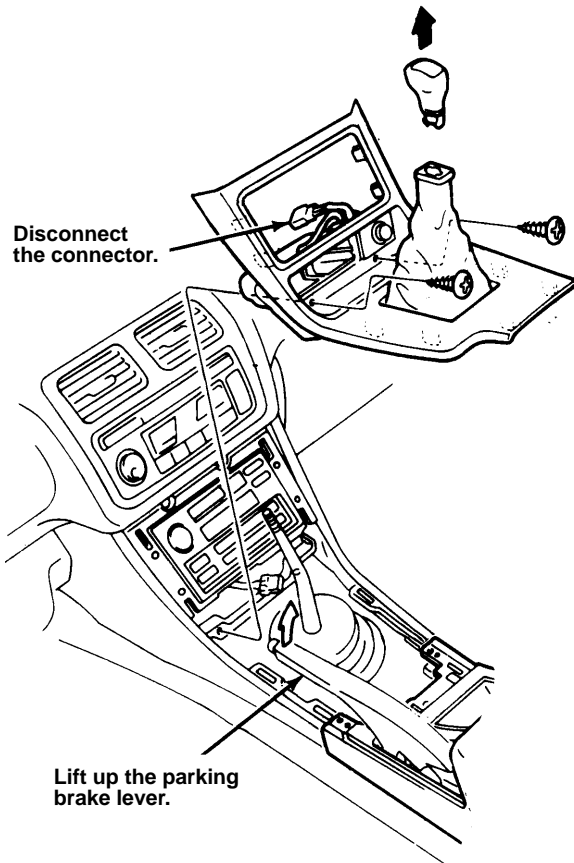
**Probable Cause:** The center console cover contacts the radio, the dash and the shift indicator garnish.

**Corrective Action:** Add or re-position the felt insulation.

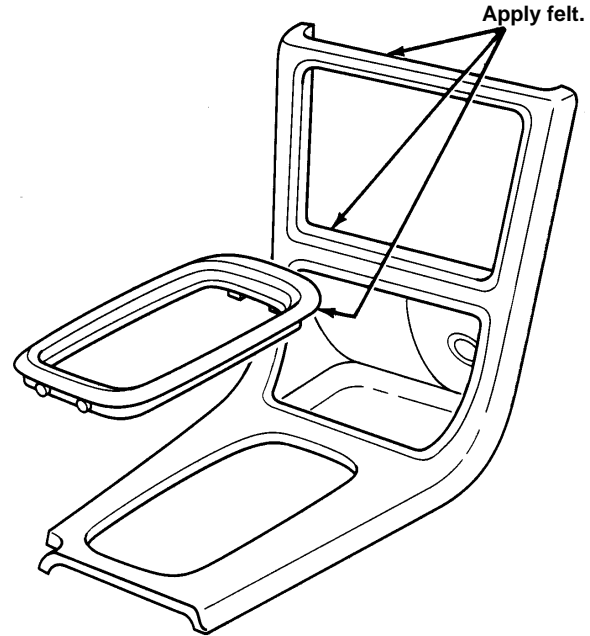
1. Remove the center console cover. See section 20 of the service manual.

NOTE: Remove the two screws in the coin pocket.

2. Inspect for points of contact:
  - Console cover/dash surface
  - Radio/console cover surface
  - Underside of the shift indicator garnish



3. Correct insulation by re-positioning or adding felt where needed.



4. Reinstall the console cover. If the coin pocket screw holes are broken, replace the coin pocket. See PARTS INFORMATION.

### PARTS INFORMATION:

Coin Pocket: 77297-SP0-A00

### WARRANTY INFORMATION:

Operation number: 841290  
Flat rate time: 0.3 hours  
Failed P/N: 77296-SP0-A10ZB  
Defect code: 042  
Contention code: B07

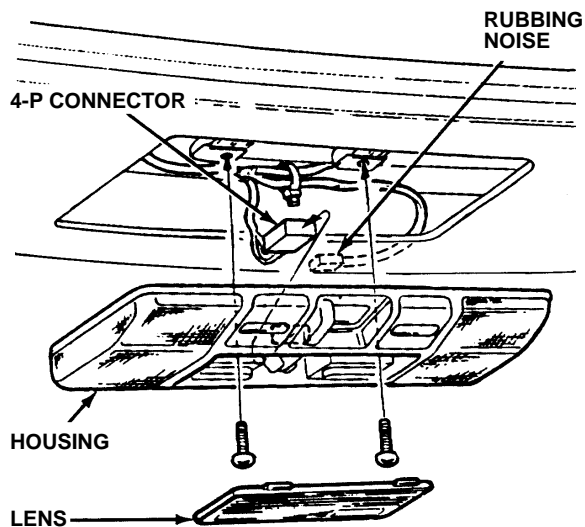
## CEILING

**Symptom:** Rubbing noise heard from the forward ceiling light.

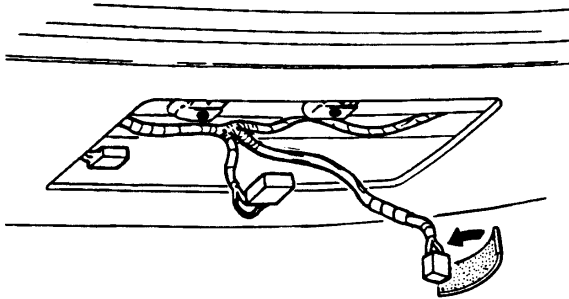
**Probable Cause:** The 2-pin connector on the cellular phone microphone rubs against the headliner.

**Corrective Action:** Wrap the connector with EPT.

1. Remove the front ceiling light. See section 20 of the service manual.



2. Wrap the 2-pin microphone connector with 3 mm thick EPT Sealer cut to 30 x 50 mm.



3. Reinstall the ceiling light.

### WARRANTY INFORMATION:

Operation number: 715220  
Flat rate time: 0.2 hours  
Failed P/N: 34250-SP0-013ZC  
Defect code: 042  
Contention code: B07

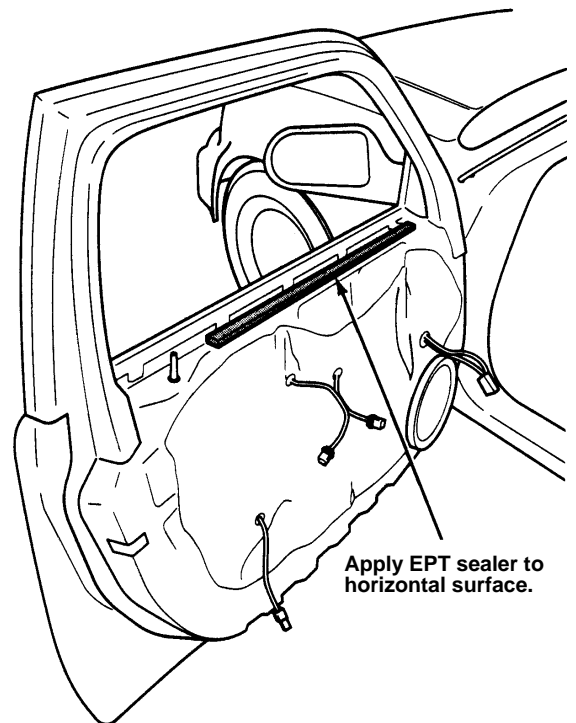
## DOOR

**Symptom:** Door panel creak from the inner door skin.

**Probable Cause:** The underside of the door panel rubs on the door skin when the door panel is used as an arm rest.

**Corrective Action:** Remove the door panel. See section 20 of the service manual.

1. Apply a strip of 5 mm EPT Sealer to the horizontal surface of the door skin. Cover the area from the lock knob forward to the mirror triangle, as shown.
2. Reinstall the door panel.



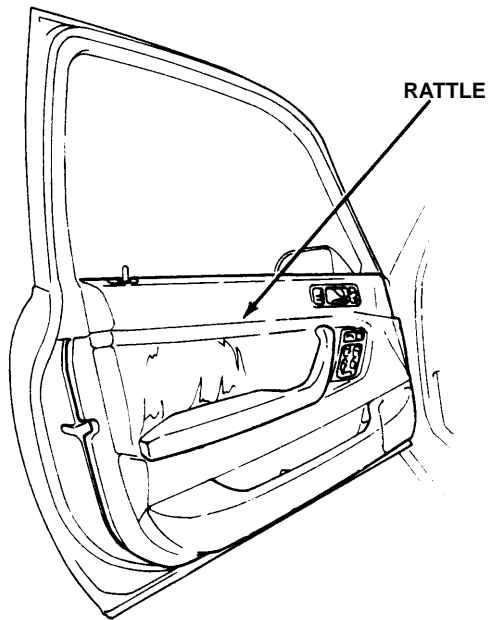
### WARRANTY INFORMATION:

Operation number: 843300  
Flat rate time: 0.4 hours  
Failed P/N: 67050-SP0-000ZZ  
Defect code: 043  
Contention code: B07

## DOOR

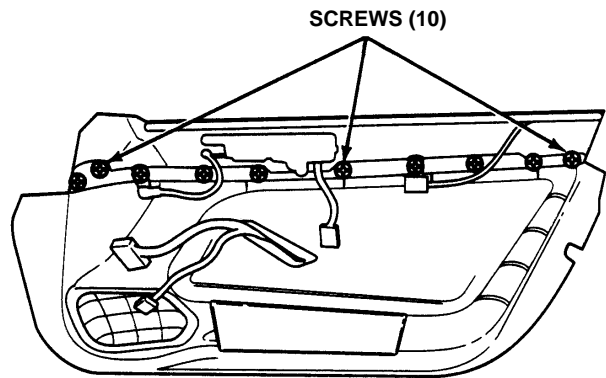
**Symptom:** Rattle from the door panel.

**Probable Cause:** The screws that attach the upper door panel to the lower door panel are loose.



**Corrective Action:** Tighten the screws.

1. Remove the door panel. See section 20 of the service manual.
2. Tighten the 10 screws that attach the upper portion of the door panel to the lower portion.



3. Reinstall the door panel.

### WARRANTY INFORMATION:

Operation number: 843200  
Flat rate time: 0.4 hours  
Failed P/N: 67151-SP0-300ZZ  
Defect code: 042  
Contention code: B07

## DOOR

**Symptom:** Rattle from interior door handle trim plate.

**Probable Cause:** The trim plate (cap) retaining clips are loose.

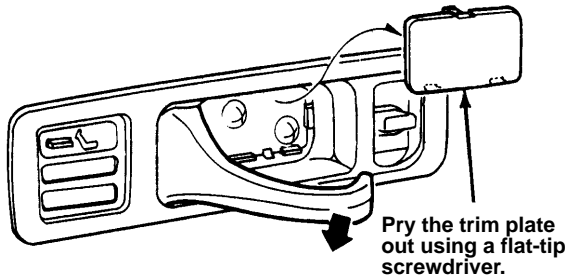
**Affected Vehicles:**

1991 Legend – All

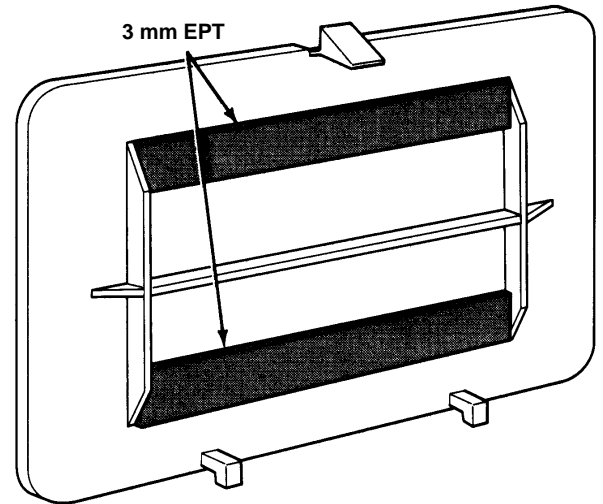
1992 Legend – All

**Corrective Action:** Insulate the area with 3 mm EPT Sealer.

1. Pry the trim plate out with a flat-tip screwdriver.



2. Cut 3 mm EPT Sealer into a strip 10 mm wide. Apply it to the back of the trim plate. The EPT will apply pressure to the retaining clips and eliminate the rattle.

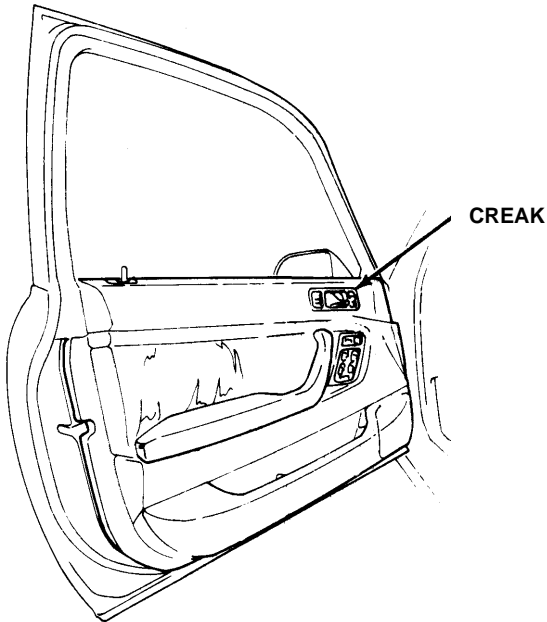


### WARRANTY INFORMATION:

Operation number: 818220  
Flat rate time: 0.2 hours  
Failed P/N: 72160-SP0-023ZA  
Defect code: 043  
Contention code: B07

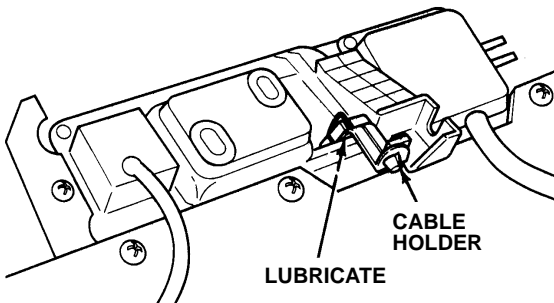
## DOOR

**Symptom:** Creak from the interior door handle.



**Corrective Action:** Lubricate the contact surfaces.

1. Remove the door panel, refer to section 20 of the service manual.
2. Inspect the bottom of the release cable holder for signs of contact. If the cable holder is touching the door panel, apply silicone grease to the cable holder.



3. Reinstall the door panel.

### WARRANTY INFORMATION:

Operation number: 819220  
Flat rate time: 0.4 hours  
Failed P/N: 72160-SP0-023ZA  
Defect code: 042  
Contention code: B07

## B-PILLAR

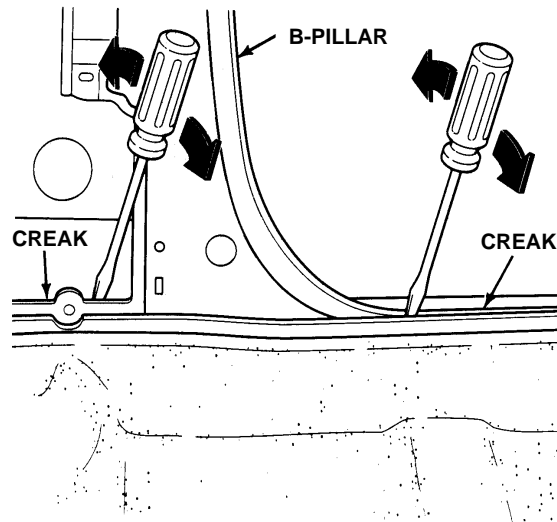
**Symptom:** Creaking from the base of the B-pillar.

**Probable Cause:** Sheet metal friction near a spot weld.

**Affected Vehicles:** 1991 Legend Coupe

**Corrective Action:** Spread the sheet metal to apply pressure to the spot weld.

1. Raise and lower the car at the jack points with a floor jack to confirm that the base of the B-pillar is the source of the noise.
2. If the noise is coming from near the junction of the door sill and the B-pillar, remove the door sill molding and the quarter trim panel. See section 20 of the service manual.



3. Insert a flat-blade screwdriver between the layers of sheet metal next to the noisy spot welds. Spread the sheet metal slightly.
4. Raise and lower the car. If the creak is still heard, repeat step 3 until the creak is eliminated.
5. Reinstall the door sill molding and the quarter trim panel.

### WARRANTY INFORMATION:

Operation number: 857310  
Flat rate time: 1.2 hours  
Failed P/N: 64620-SP1-300ZZ  
Defect code: 042  
Contention code: B07

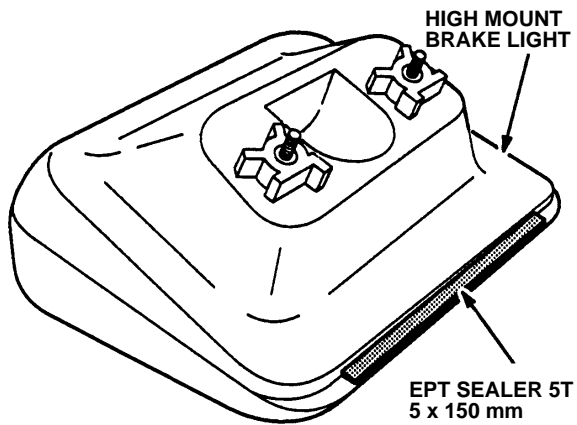
## HIGH MOUNT BRAKE LIGHT

**Symptom:** Rattle from the rear shelf.

**Probable Cause:** Clearance between the rear shelf and the brake light housing.

**Corrective Action:** Apply 5 mm EPT Sealer to the bottom of the light housing.

1. From inside the trunk, remove the bulb socket and the two mounting nuts from the high mount brake light.
2. Remove the brake light from the rear shelf and turn it upside down.
3. Cut a 5 x 150 mm piece of 5 mm EPT 5T Sealer.
4. Center and apply the EPT to the bottom of the light housing, along the rear edge, as shown.



5. Reinstall the brake light.

### WARRANTY INFORMATION:

Operation number: 714050  
Flat rate time: 0.3 hours  
Failed P/N: 34270-SP0-A01  
Defect code: 043  
Contention code: B07