

YEAR  
1991 – 95

MODEL  
Legend

VIN APPLICATION  
ALL

BULLETIN NO.  
**97-024**



## Rattle From the Catalytic Converter Upper Cover

### SYMPTOM

A rattle is heard from the floor of the car, especially during acceleration.

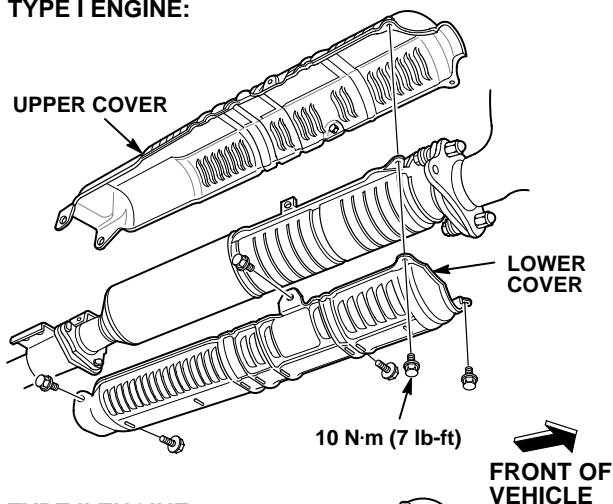
### PROBABLE CAUSE

One or more of the mounting points are broken on the upper cover of the catalytic converter.

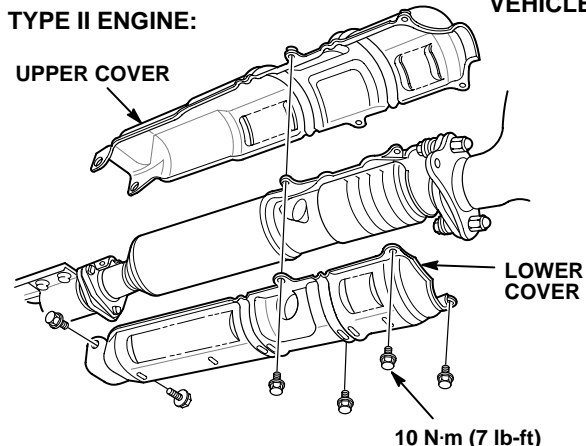
### CORRECTIVE ACTION

Replace the catalytic converter upper cover and its six mounting bolts. (The new upper cover comes with new bolts.) If you damage the lower cover while removing the upper cover, replace it too.

#### TYPE I ENGINE:



#### TYPE II ENGINE:



### PARTS INFORMATION

Make sure you order the correct cover(s) for the car you are working on.

**Type I engine** ('91 – '92: All, '93 – '95: L and LS Sedan)

Upper Cover: P/N 18012-PY3-315

Lower Cover: P/N 18181-PY3-A00

**Type II engine** ('93 – '95: Coupe, '94 – '95 GS Sedan)

Upper Cover: P/N 18012-PX9-315

Lower Cover: P/N 18181-PX9-A00

### WARRANTY CLAIM INFORMATION

**In warranty:** The normal warranty applies.

Operation number: 311140  
 Flat rate time: 0.3 hour  
 Failed P/N: 18182-PY3-000  
 Defect code: 043  
 Contention code: B07  
 Skill level: Repair Technician

DESCRIPTION	TEMPLATE ID
Replace catalytic converter upper cover (Type I engine)	97-024A
Replace catalytic converter upper cover and lower cover (Type I engine)	97-024B
Replace catalytic converter upper cover (Type II engine)	97-024C
Replace catalytic converter upper cover and lower cover (Type II engine)	97-024D

**Out of warranty:** Any repair performed after warranty expiration may be eligible for goodwill consideration by the District Technical Manager or your Zone Office. You must request consideration, and get a decision, before starting work.