

YEAR  
**NEW** 1991 - 92

MODEL  
**LEGEND**  
 4-DOOR

VIN APPLICATION  
**NEW** ALL

BULLETIN NO.  
**92-010**



## Door Mirror Vibrates

(Supersedes 92-010, dated June 8, 1992)

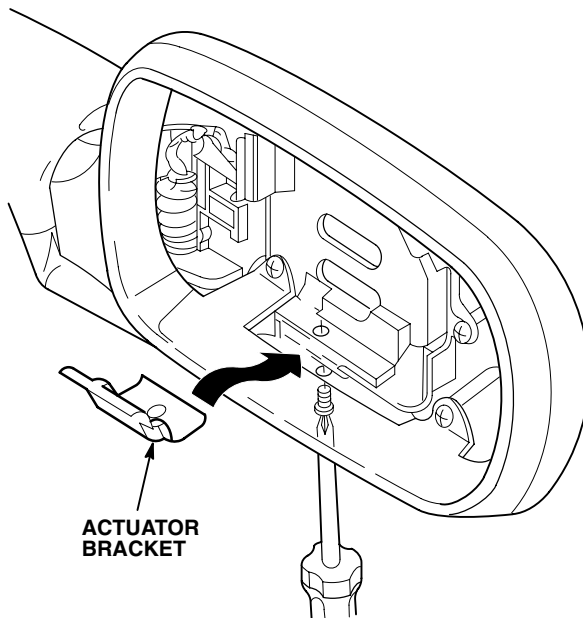
### PROBLEM

The door mirror glass vibrates due to insufficient tension of the door mirror actuator bracket.

### CORRECTIVE ACTION

Replace the actuator bracket and mounting screw (see PARTS INFORMATION).

1. Working through the service hole, use a #2 Phillips screwdriver to loosen the actuator retaining screw. (See mirror glass replacement in section 20 of the appropriate service manual.)
2. Remove the mirror and actuator assembly by lifting up, then pulling out the lower edge of the mirror.
3. Remove the 3 x 10 mm actuator retaining screw and the actuator bracket.



4. Position the new actuator bracket over the service hole.
5. Put the new screw on the screwdriver, and align the retaining bracket. Start the screw, but don't tighten it yet. Be careful to not cross-thread the screw.

6. Connect the two actuator connectors, and install the mirror assembly. Install the top edge first, then the bottom edge.
7. Tighten the retaining screw.
8. Turn the ignition switch ON, and check the mirror operation.

### PARTS INFORMATION

Actuator Bracket P/N 04769-SP0-J01  
 (Includes 4 x 8 mm screw)

**NEW**

### WARRANTY CLAIM INFORMATION

**In warranty:** The normal warranty applies.

**Out of warranty:** Any repair performed after warranty expiration may be eligible for goodwill consideration by the District Service Manager or your Zone Office. You must request consideration, and get a decision, before starting work.

Operation number: 820150  
 Flat rate time: 0.2 hour  
 Failed P/N: 76210-SP0-A01  
 Defect code: 045  
 Contention code: B99